

**KURTTEKİN®**

**PIPING ACCESSORIES**

**FOR INDUSTRIAL THERMAL PIPING**

**Kurttekin Ltd. Şti.**

**Cumhuriyet Caddesi 12/2 81570 Küçükyalı İSTANBUL - TÜRKİYE**

**Tel.: +90.216.3886247 Fax.: +90.216.3886248 Mobile: +90.532.2534851**

**e-mail: [kurttekin@kurttekin.com](mailto:kurttekin@kurttekin.com) or [kurttekin@ultratv.net](mailto:kurttekin@ultratv.net)**

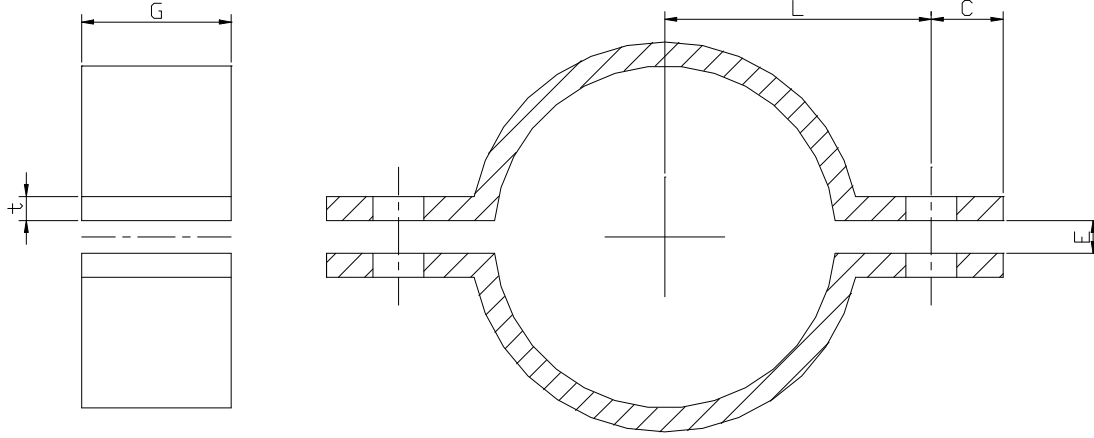
**web page: <http://www.kurttekin.com>**

# **KURTTEKİN®**

## **PIPING ACCESSORIES – BORULAMA AKSESUARLARI**

<b><u>PART NO.</u></b>	<b><u>DESCRIPTION - TANIM</u></b>
20.A.XX	LIGHT DUTY PIPE CLAMPS HAFİF YÜK KELEPÇELERİ
20.B.XX	EXTENDED LIGHT DUTY PIPE CLAMPS UZATMALI HAFİF YÜK KELEPÇELERİ
21.A.XX	NORMAL DUTY PIPE CLAMPS NORMAL YÜK KELEPÇELERİ
21.B.XX	EXTENDED NORMAL DUTY PIPE CLAMPS UZATMALI NORMAL YÜK KELEPÇELERİ
22.XX	HEAVY LOAD PIPE CLAMPS AĞIR YÜK TİPİ BORU KELEPÇELERİ
23.XX	HORIZONTAL PIPE CLAMPS YATAY KELEPÇELER
24.XX	CLAMP BASES İKİLİ KAYAR YATAKLAR
25.XX	WELDED TYPE SHOES KAYNAKLI KAYAR MESNET
26.XX	R/L THREADED RODS SAĞ/SOL SAPLAMALAR
27.XX	R/R THREADED RODS SAĞ/SAĞ SAPLAMALAR
28.XX	CONNECTING PLATES ASKI LAMALARI
29.XX	WELDED CLEVISES KAYNAKLI ÇATAL SOMUNLAR
30.XX	WELDED EYE NUTS KAYNAKLI GÖZLÜ SOMUNLAR
31.XX	TURNBUCKLES GERDİRMELER
32.XX	U - BOLTS U - SAPLAMALAR
33.XX	ALL THREADED RODS GİJONLAR
34.XX	ONE END THREADED ROD BİR UCU DİŞLİ SAPLAMALAR
35.XX	WELD-ON EYE PLATES KAYNAK LAMALARI
36.XX	COUPLERS BİRLEŞTİRMELER

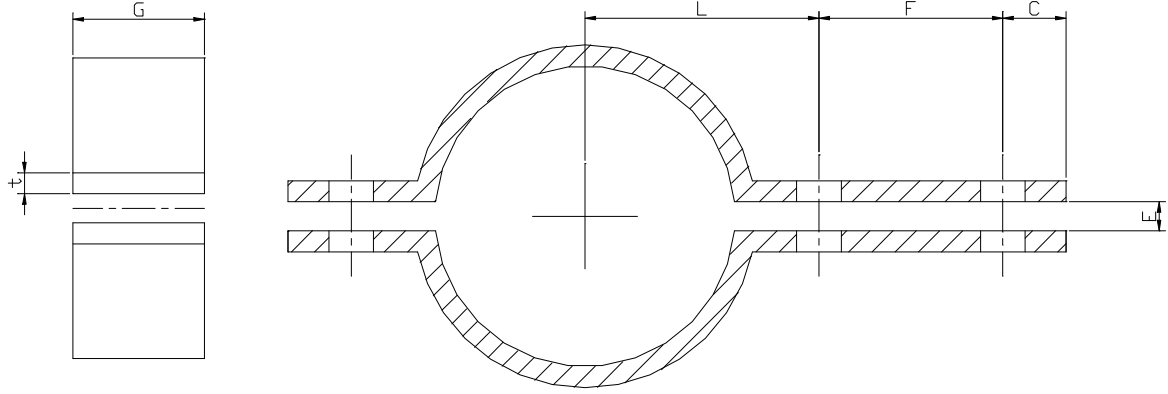
**20.A.xx Light Duty Pipe Clamps  
(Hafif Yük kelepçeleri)**



Pipe Diameter Ø D	G	t	E	L	C	Bolt	Kg <sub>f</sub> at	
							50 °C	300 °C
25,4	30	5	7	30	15	M10x35	550	320
33,7	30	5	7	35	15	M10x35	550	320
48,3	30	5	7	44	15	M10x35	450	260
57	40	6	9	52	18	M12x40	720	420
60,3	40	6	9	54	18	M12x40	700	400
76,1	40	6	9	61	18	M12x40	600	350
88,9	40	6	9	68	18	M12x40	530	310
101,6	50	8	11	84	24	M16x55	950	560
114,3	50	8	11	89	24	M16x55	900	520
139,7	50	8	11	102	24	M16x55	770	450
168,3	50	8	11	116	24	M16x55	700	410
219	50	8	11	142	24	M16x55	585	340
273	60	8	14	177	30	M20x65	500	300
323,9	60	8	14	199	30	M20x65	500	290
355,6	60	8	14	216	30	M20x65	465	270
406,4	70	10	18	249	36	M24x90	740	430
457,2	70	10	18	258	36	M24x90	680	410
508	70	10	18	300	36	M24x90	640	370
558,8	90	15	25	345	45	M30x110	1550	900
609,6	90	15	25	370	45	M30x110	1480	860

**Other intermediate sizes and requested sections are available**

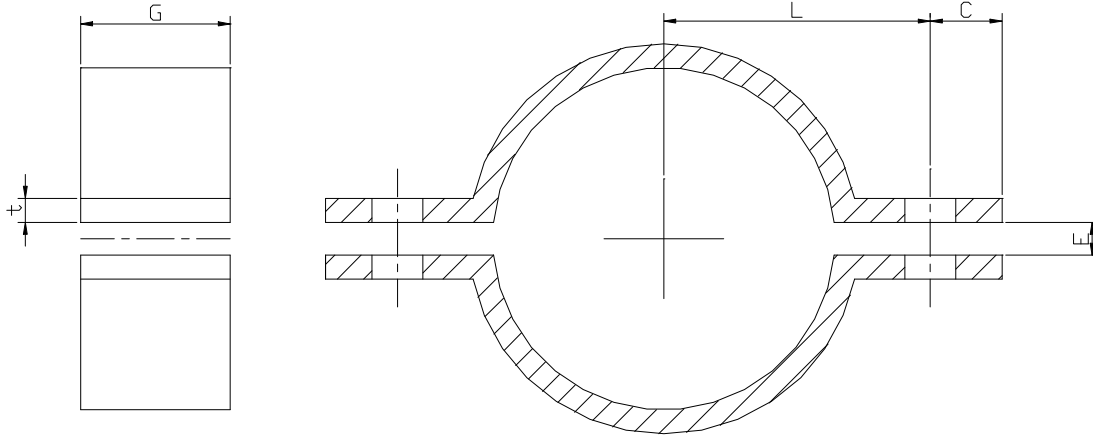
**20.B.xx Extended Light Duty Pipe Clamps  
(Uzatmalı hafif yük kelepçeleri)**



Pipe Diameter	Ø D	G	t	E	L	F	C	Bolt	Kg <sub>f</sub> at	
									50 °C	300 °C
	25,4	30	5	7	30	46	15	M10x35	550	320
	33,7	30	5	7	35	46	15	M10x35	550	320
	48,3	30	5	7	44	54	15	M10x35	450	260
	57	40	6	9	52	54	18	M12x40	720	420
	60,3	40	6	9	54	54	18	M12x40	700	400
	76,1	40	6	9	61	54	18	M12x40	600	350
	88,9	40	6	9	68	54	18	M12x40	530	310
	101,6	50	8	11	84	70	24	M16x55	950	560
	114,3	50	8	11	89	70	24	M16x55	900	520
	139,7	50	8	11	102	70	24	M16x55	770	450
	168,3	50	8	11	116	70	24	M16x55	700	410
	219	50	8	11	142	70	24	M16x55	585	340
	273	60	8	14	177	86	30	M20x65	500	300
	323,9	60	8	14	199	86	30	M20x65	500	290
	355,6	60	8	14	216	86	30	M20x65	465	270
	406,4	70	10	18	249	104	36	M24x90	740	430
	457,2	70	10	18	258	104	36	M24x90	680	410
	508	70	10	18	300	104	36	M24x90	640	370
	558,8	90	15	25	345	104	45	M30x110	1550	900
	609,6	90	15	25	370	104	45	M30x110	1480	860

**Other intermediate sizes and requested sections are available**

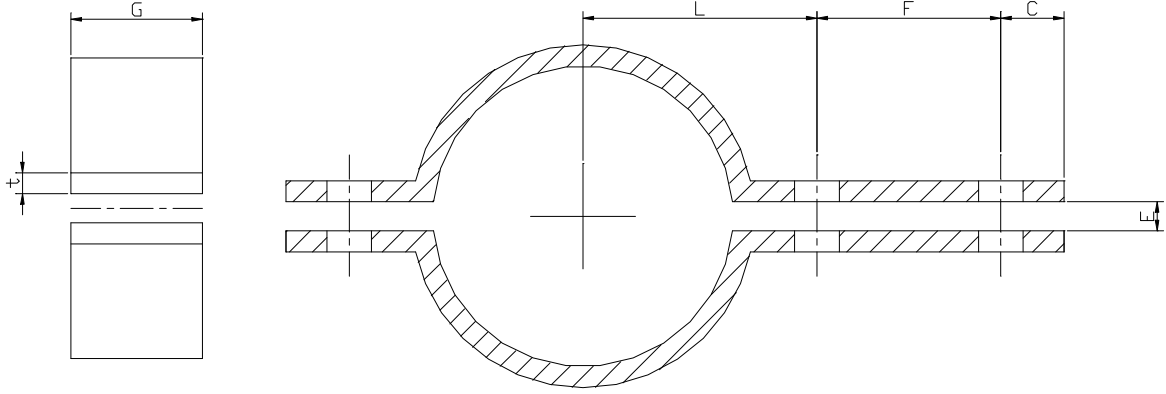
**21.A.xx Normal Duty Pipe Clamps  
(Normal Yük Kelepçeleri)**



Pipe Diameter Ø D	G	t	E	L	C	Bolt	Kg. at	
							50 °C	300 °C
57	40	8	12	55	25	M16x55	1770	1030
60,3	40	8	12	60	25	M16x55	1580	920
76,1	40	8	12	70	25	M16x55	1270	740
88,9	40	8	12	75	25	M16x55	1170	680
101,6	40	8	12	80	25	M16x55	1110	650
108	50	10	15	90	35	M20x65	1960	1140
114,3	50	10	15	95	35	M20x65	1780	1040
133	60	10	15	105	35	M20x65	1960	1140
139,7	60	10	15	110	35	M20x65	1820	1060
159	60	10	15	120	35	M20x65	1660	970
168,3	70	10	15	125	35	M20x65	1850	1080
191	70	15	20	150	40	M24x90	3700	2180
219	70	15	20	160	40	M24x90	3500	2040
244,5	80	15	20	175	40	M24x90	3610	2100
273	90	15	20	190	40	M24x90	3710	2160
323,9	90	15	20	215	40	M24x90	3370	1960
355,6	100	15	20	235	40	M24x90	3330	1940
406,4	130	20	25	275	50	M30x110	6670	3880
457,2	140	20	25	300	50	M30x110	6670	3880
508	150	20	25	330	50	M30x110	6400	3720

**Other intermediate sizes and requested sections are available**

**21.B.xx Extended normal load pipe clamps  
(Uzatmalı normal yük kelepçeleri)**

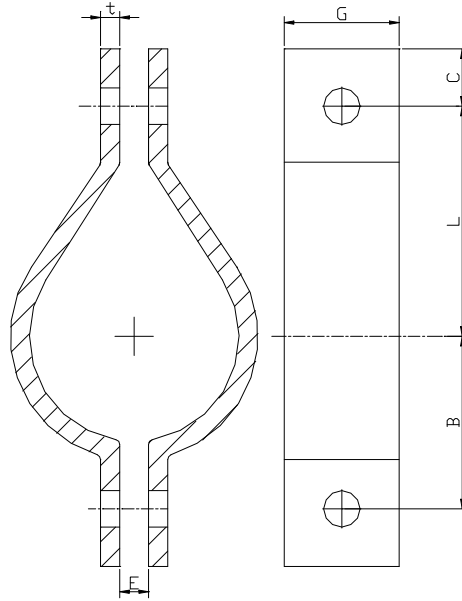


Pipe Diameter Ø D	G	t	E	L	F	C	Bolt	Kg <sub>f</sub> at	
								50 °C	300 °C
57	40	8	12	55	54	25	M16x55	1770	1030
60,3	40	8	12	60	54	25	M16x55	1580	920
76,1	40	8	12	70	54	25	M16x55	1270	740
88,9	40	8	12	75	54	25	M16x55	1170	680
101,6	40	8	12	80	70	25	M16x55	1110	650
108	50	10	15	90	70	35	M20x65	1960	1140
114,3	50	10	15	95	70	35	M20x65	1780	1040
133	60	10	15	105	70	35	M20x65	1960	1140
139,7	60	10	15	110	70	35	M20x65	1820	1060
159	60	10	15	120	70	35	M20x65	1660	970
168,3	70	10	15	125	70	35	M20x65	1850	1080
191	70	15	20	150	70	40	M24x90	3700	2180
219	70	15	20	160	70	40	M24x90	3500	2040
244,5	80	15	20	175	86	40	M24x90	3610	2100
273	90	15	20	190	86	40	M24x90	3710	2160
323,9	90	15	20	215	86	40	M24x90	3370	1960
355,6	100	15	20	235	86	40	M24x90	3330	1940
406,4	130	20	25	275	104	50	M30x110	6670	3880
457,2	140	20	25	300	104	50	M30x110	6670	3880
508	150	20	25	330	104	50	M30x110	6400	3720

**Other intermediate sizes and requested sections are available**

22.xx

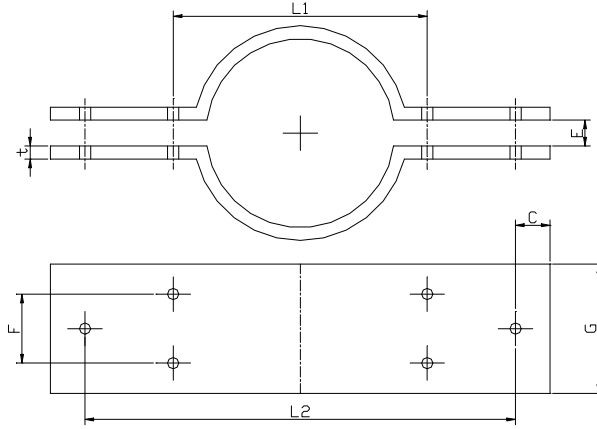
## Heavy Duty Pipe Clamps (Ağır yük tipi boru kelepçeleri)

Pipe  
DiameterKg<sub>f</sub> at

Ø D	G	t	E	L	B	C	Bolt	50 °C	300 °C
219	120	20	30	240	180	60	M36x200	8780	5100
244,5	120	20	30	265	195	60	M36x200	8250	4800
267	120	20	30	285	210	60	M36x200	7600	4400
273	120	20	30	295	215	60	M36x200	7400	4180
298,5	130	20	30	310	230	60	M36x200	7550	4450
318	130	20	30	320	230	60	M36x200	7500	4400
323,9	130	20	30	340	240	60	M36x200	7400	4300
355,6	130	20	30	360	255	60	M36x200	7200	4150
368	130	20	30	390	260	60	M36x200	7380	4260
406,4	140	25	35	430	290	70	M42x240	11200	6480
419	140	25	35	440	300	70	M42x240	10600	6100
457,2	140	25	35	480	320	70	M42x240	10200	5900
470	140	25	35	490	325	70	M42x240	10300	5900
508	120	30	40	540	360	75	M48x270	17000	10800
521	120	30	40	550	370	75	M48x270	16400	9500
558,8	120	30	40	590	390	75	M48x270	16000	9300
609,6	120	30	40	640	415	75	M48x270	15600	9000
622	120	30	40	650	429	75	M48x270	15600	9100
711,2	150	30	45	745	470	85	M56x300	18100	10500
720	150	30	45	750	475	85	M56x300	17900	10400
812	150	30	45	840	520	85	M56x300	17500	10100
820	150	30	45	850	525	85	M56x300	17300	10000

23.xx

**Horizontal Pipe Clamps  
(Yatay boru kelepçeleri)**



Pipe  
Diameter

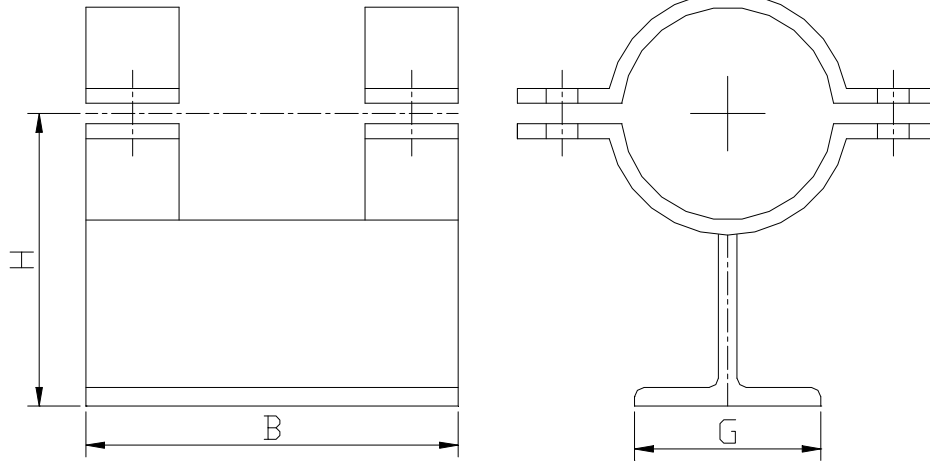
Ø D	G	t	E	L2	L1	C	F	Bolt
60,3	100	10	20	105	350	25		M12x90
76,1	100	10	20	125	350	25		M12x90
88,9	100	10	20	140	350	25		M12x90
101,6	100	10	20	155	350	25		M12x90
108	100	10	20	160	350	25		M12x90
114,3	100	10	20	170	350	25		M12x90
133	100	15	20	200	400	30		M12x90
139,7	100	15	20	215	400	30		M12x90
159	100	15	20	230	400	30		M12x90
168,3	100	15	20	245	400	30		M12x90
191	150	15	30	255	500	40		M12x90
193,7	150	15	30	260	500	40	80	M12x90
216	150	15	30	290	500	40	80	M12x90
219	150	15	30	295	500	40	80	M12x90
244,5	150	15	30	325	500	40	80	M12x90
267	150	20	30	350	600	40	80	M12x90
273	150	20	30	370	600	40	80	M12x90
298	150	20	30	390	600	40	80	M12x90
318	150	20	30	415	700	40	80	M12x90
323,9	150	20	30	425	700	40	80	M12x90
355,6	150	20	30	460	700	40	80	M12x90
368	150	20	30	470	700	40	80	M12x90
406,4	150	25	30	540	800	40	80	M16x110
419	150	25	30	560	850	45	80	M16x110
457,2	150	25	30	590	850	45	80	M16x110
470	200	25	30	620	900	50	100	M20x120
508	200	25	30	650	900	50	100	M20x120
521	200	25	30	670	950	50	100	M20x120
558,8	200	25	30	700	950	50	100	M20x120
609,6	200	25	30	755	1000	50	100	M20x120

**Please note that L1 & L2 can be adjusted according to the hanging frame structure**



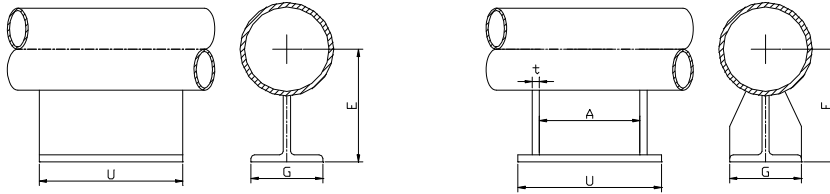
24.xx

**Clamp Bases  
(İkili Kayar Yataklar)**



Pipe Diameter Ø D	Thermal Group I			Thermal Group II			Bolt
	B	G	H	B	G	H	
25,4	100	40	58	100	60	78	M10x35
33,7	100	40	64	150	70	94	M10x35
48,3	150	40	69	150	70	99	M10x35
57	150	40	75	175	80	115	M10x35
60,3	150	40	76	175	80	117	M10x35
76,1	150	40	84	175	100	144	M12x45
88,9	150	40	91	175	100	151	M12x45
101,6	200	100	92	250	100	163	M16x55
114,3	200	100	95	250	100	169	M16x55
139,7	200	100	113	250	100	185	M16x55
168,3	200	100	129	250	100	203	M16x55
219	200	100	157	250	100	230	M16x55
273	300	200	184	350	200	285	M20x65
323,9	300	200	216	350	200	315	M20x65
355,6	300	200	235	350	200	334	M20x65
406,4	400	300	268	475	300	391	M24x90
457,2	400	300	274	475	300	410	M24x90
508	400	300	323	475	300	447	M24x90
558,8	450	300	353	525	400	470	M30x110
609,6	450	300	380	525	400	500	M30x110

**25.xx Welded type Shoe  
(Kaynaklı tip kayar mesnet)**

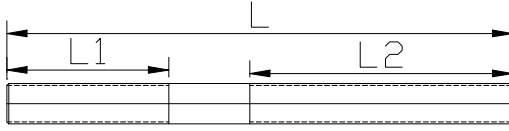


Pipe  
Diameter

$\varnothing D$	G	U	t	K	E	A
33,7	60	150	-	-	117	-
48,3	60	150	-	-	125	-
60,3	60	150	-	-	131	-
76,1	100	150	-	-	138	-
88,9	100	150	-	-	145	-
101,6	100	150	-	-	151	-
108	100	150	-	-	154	-
114,3	100	150	-	-	158	-
133	100	150	-	-	168	-
139,7	100	150	-	-	170	-
159	100	150	-	-	180	-
168,3	100	150	-	-	185	-
191	150	200	6	10	196	180
193,7	150	200	6	10	207	180
216	150	200	6	10	208	180
219	150	200	6	10	210	180
244,5	150	200	6	10	223	180
267	150	200	6	10	234	180
273	150	200	6	10	237	180
298	150	200	6	10	254	180
318	150	200	6	10	259	180
323,9	200	200	6	10	262	180
355,6	200	250	6	10	278	200
368	200	250	6	10	284	200
406,4	200	250	6	10	304	200
419	200	250	6	10	310	200
457,2	250	250	10	10	329	200
470	250	250	10	10	335	200
508	300	300	10	12	354	270
521	300	300	10	12	360	270
558,8	300	300	10	12	379	270
609,6	300	300	10	12	405	270

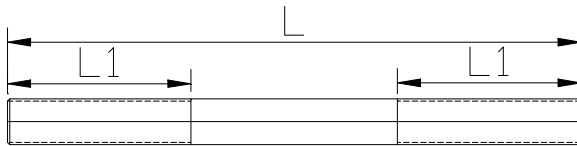
**26.xx R/L Threaded Rod  
(Sağ/Sol saplama)**

**L1 indicates right thread, L2 indicates left thread**



Type No.	Ø D	L	L1	L2
26.01	12	250	80	130
26.02	16	250	80	130
26.03	20	250	80	130
26.04	24	350	120	190
26.05	30	350	120	190
26.06	36	450	160	220
26.07	42	450	160	220
26.08	48	450	160	220
26.09	56	550	200	270
26.10	64	550	200	270
26.11	68	550	200	270

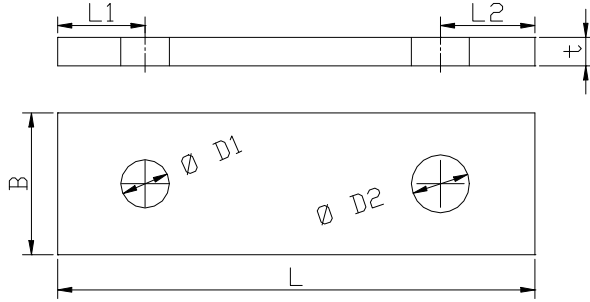
**27.xx R/R Threaded rods (Sağ-Sağ saplamlar)**



Type No.	Ø D	L1	L
27.01	12	80	
27.02	16	80	
27.03	20	80	
27.04	24	120	
27.05	30	120	
27.06	36	160	
27.07	42	160	
27.08	48	160	
27.09	56	200	
27.10	64	200	
27.11	68	200	

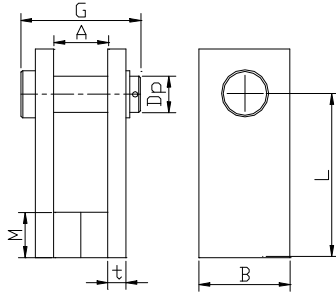
To be specified upon request

## 28.xx Connecting Plate (Askı laması)



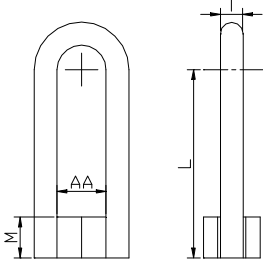
Type No.	B	t	L	L1	L2	D1	D2
28.01	30	6	87	17	20	10,5	12,5
28.02	35	6	123	22	26	12,5	16,5
28.03	45	10	163	28	35	16,5	20,5
28.04	60	12	202	37	40	20,5	24,5
28.05	65	15	240	40	50	24,5	30,5
28.06	80	20	260	50	60	33,5	36,5
28.07	100	25	285	65	70	40,5	42,5
28.08	120	30	305	75	80	45,5	49
28.09	130	30	320	80	90	50,5	57

## 29.0 Welded Clevis (Kaynaklı Çatal Somun)



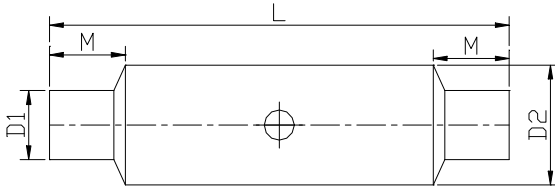
Type No.	D	M	A	Bxt	L	Dp	G
29.01	M12	15	19	25x8	70	12	50
29.02	M16	20	24	35x8	80	16	60
29.03	M20	25	30	50x10	90	20	70
29.04	M24	30	36	55x12	110	24	86
29.05	M30	35	46	65x12	130	33	95
29.06	M36	40	55	80x12	150	40	110
29.07	M42	50	65	90x14	170	45	120
29.08	M48	60	75	100x18	180	50	140
29.09	M56x4	65	85	120x18	215	60	170
29.10	M64x4	70	95	150x18	230	70	180
29.11	M68x4	70	100	150x18	230	70	190

**30.xx Welded Eye nut  
(Kaynaklı Gözlü Somun)**

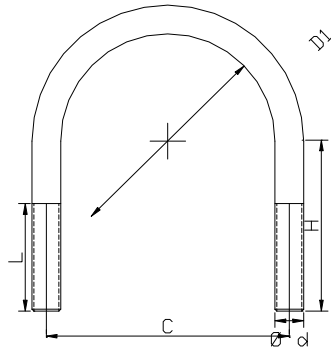


Type No.	D	M	A	T	L
30.01	M12	15	19	10	60
30.02	M16	20	24	12	75
30.03	M20	25	30	14	90
30.04	M24	30	36	20	110
30.05	M30	35	46	24	127
30.06	M36	40	55	26	140
30.07	M42	50	65	32	157
30.08	M48	60	75	34	180
30.09	M56x4	65	85	44	200
30.10	M64x4	70	95	46	230
30.11	M68x4	70	100	48	230

**31.xx Welded Turnbuckles  
(Kaynaklı Gerdirmeler)**

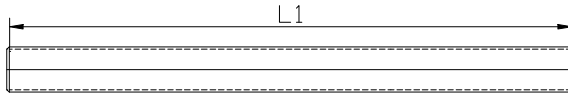


Type No.	Ø D	M	D1	D2	L
31.01	M12	21	19	34	130
31.02	M16	27	24	42	170
31.03	M20	33	30	52	200
31.04	M24	40	36	62	250
31.05	M30	45	46	74	270
31.06	M36	55	55	86	290
31.07	M42	63	65	105	330
31.08	M48	70	75	105	330
31.09	M56x4	75	80	105	330
31.10	M64x4	80	90	105	340
31.11	M68x4	90	90	105	360

**32.xx****U-bolts  
(U-saplamalar)**

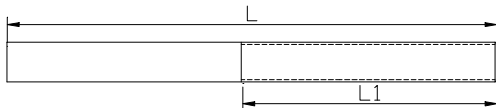
Type No.	Pipe Do	D1	C	dxL	H
32.01	25-26,9	30	40	M10x40	45
32.02	30-33,7	38	48	M10x40	47
32.03	38-42,4	46	56	M10x50	53
32.04	44,5-51	52	62	M10x50	56
32.05	57-60,3	64	76	M12x50	65
32.06	76,1	82	94	M12x50	72
32.07	88,9	94	106	M12x50	79
32.08	101,6	113	125	M12x50	85
32.09	108-114,3	120	136	M16x60	95
32.10	133-139,7	148	164	M16x60	101
32.11	159-168,3	176	192	M16x60	113
32.12	193,7	202	218	M16x60	132
32.13	219,1	228	248	M20x70	149
32.14	244,5	255	275	M20x70	170
32.15	267-273	282	302	M20x70	173
32.16	323,9	332	356	M24x70	199
32.17	355,6-368	378	402	M24x70	222
32.18	406,4-419	428	452	M24x70	249
32.19	457,2	476	500	M24x70	280
32.20	508	530	554	M24x70	300
32.21	558,8	576	600	M24x70	330
32.22	610	630	654	M30x80	350
32.23	660	690	720	M30x80	370
32.24	711	740	770	M30x80	400
32.25	762	800	830	M30x80	430

**33.xx All threaded rod  
(Gijon)**



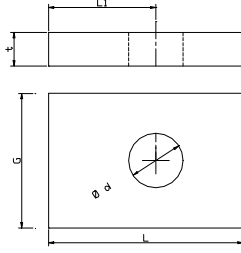
Type No.	d	L
33.01	M12	To be specified upon request
33.02	M16	
33.03	M20	
33.04	M24	
33.05	M30	
33.06	M36	
33.07	M42	
33.08	M48	
33.09	M56x4	
33.10	M64x4	
33.11	M68x4	

**34.xx One end threaded rod  
(Bir ucu diřli saplamalar)**



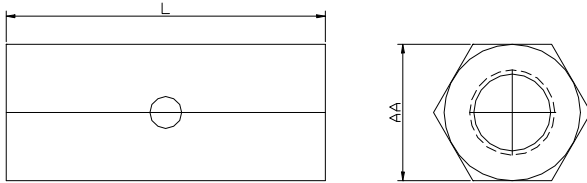
Type No.	d	L	L1
34.01	M12	250	130
34.02	M16	250	130
34.03	M20	250	130
34.04	M24	350	190
34.05	M30	350	190
34.06	M36	350	190
34.07	M42	450	220
34.08	M48	450	220
34.09	M56x4	550	270
34.10	M64x4	550	270
34.11	M68x4	550	270

**35.xx Weld on eye plates  
(Kaynak Laması)**



Type No.	L	B	L1	Ød	T
35.01	67	35	45	12,5	8
35.02	78	45	50	16,5	10
35.03	92	60	55	20,5	12
35.04	100	65	60	24,5	15
35.05	120	80	70	33,5	20
35.06	145	100	80	40,5	25
35.07	165	120	90	45,5	30
35.08	180	130	100	50,5	30
35.09	200	150	110	60,5	40
35.10	220	170	120	70,5	45
35.11	240	180	130	70,5	45

**36.xx COUPLERS  
(Birleştime)**



Type No.	d	D	L	AA
36.01	M12	34	45	21
36.02	M16	42	60	27
36.03	M20	52	75	32
36.04	M24	62	90	38
36.05	M30	74	105	46
36.06	M36	86	120	55
36.07	M42	90	150	65
36.08	M48	90	180	75
36.09	M56x4	90	210	80
36.10	M64x4	100	240	90
36.11	M68x4	100	270	90